

SPECIFICATION SHEET - kitchen appliances

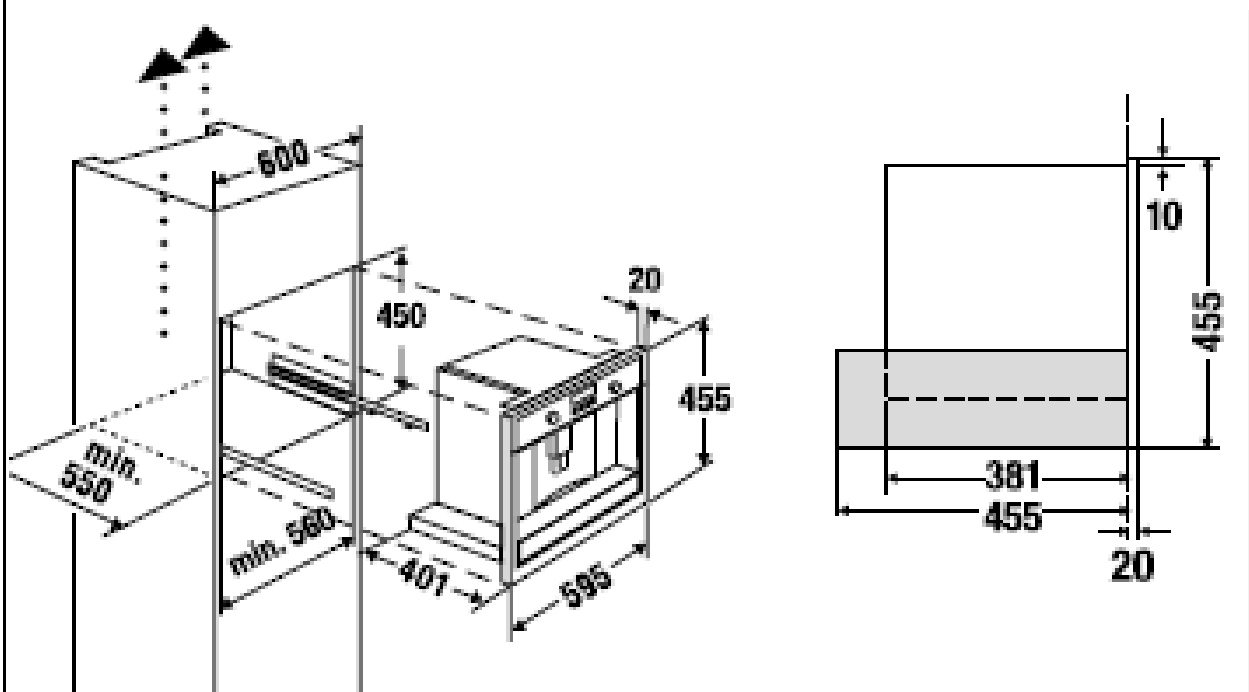
BRAND:	Küppersbusch FÜR KÜCHEN MIT STIL
ORIGIN:	Germany
SERIES:	Comfort +
PRODUCT DESCRIPTION:	Built-in electric coffee maker, with: - electronic control with touch control sensors - for coffee beans and powder - removable milk container with cleaing function - height adjustable coffee dispenser - boiling pressure approx. 15 bar
MODEL No.	CKV 6550.0 S
FINISH/COLOUR:	Black glass stainless steel look
DIMENSIONS:	Overall: 595 W x 455 H x 401 D mm Opening: 560 W x 450 H x 550 D mm
OPTIONAL MATCHING PARTS:	



Technical Informations:

voltage/frequency : 220V/50-60Hz

total power : 3.5kW



Minimum 200mm² at the back must be provided for ventilation.

REMINDER:	Do not use abrasive or aggressive cleaners and or contain chlorine or hydrochloric acid solution for cleaning.
	Sufficient ventilation must be provided for oven, microwave, steamer & hobs according to requirement.
	All information stated above are solely for reference only, and should be based on the actual submission sample. Dimensions and specifications are subject to change without prior notice.